

Installation Electric Wall Oven

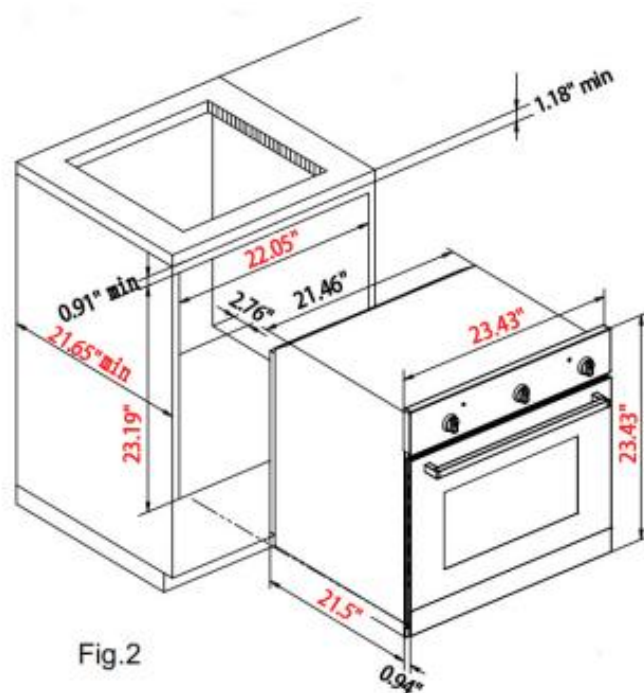
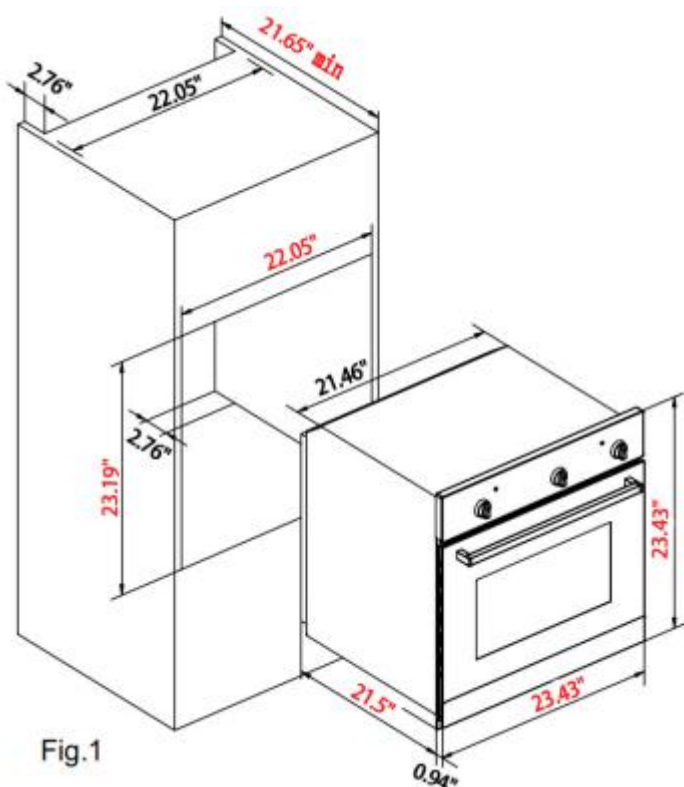
IMPORTANT: Unplug your oven before performing installation or maintenance.

Installation should be carried out by qualified personnel according to the instructions. The manufacturer is not responsible for any damage to persons, animals or objects caused by incorrect installation.

Opening Dimensions (General tolerance)

Width: 22.05 +/- 0.05"

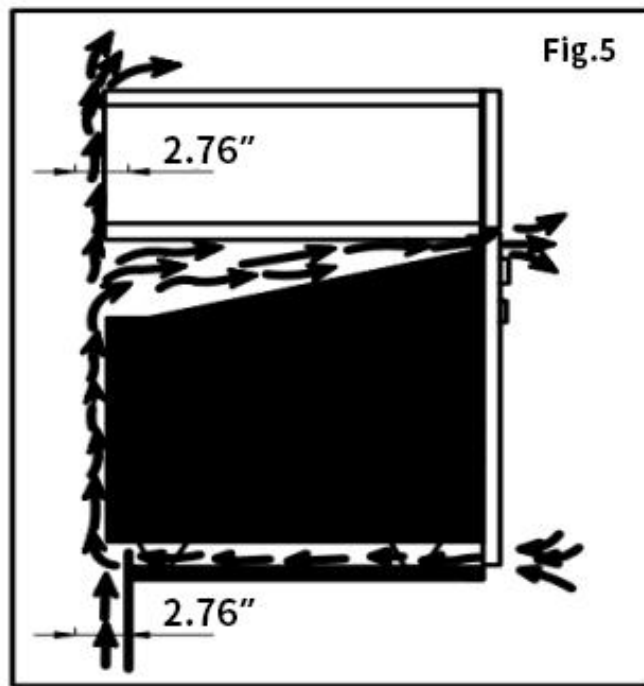
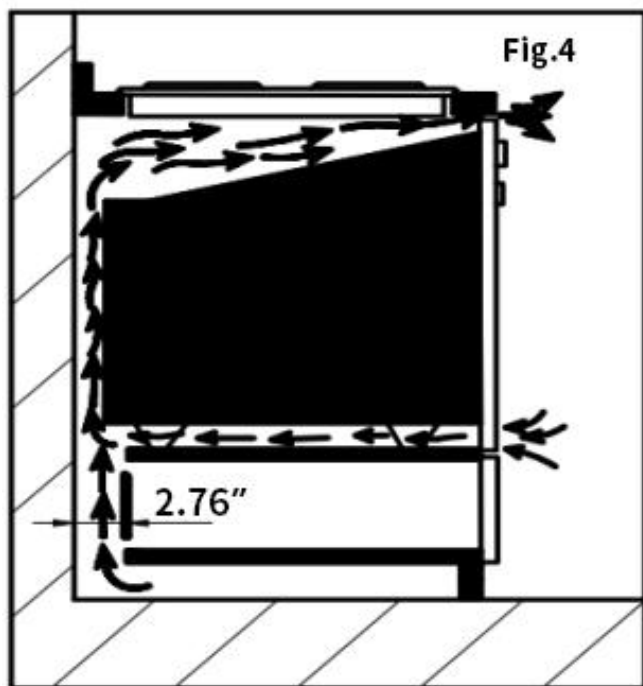
Height: 23.19 +0-0.09"



NOTE: If the oven is to be paired with a stovetop, you must follow the instructions in the booklet provided with the other appliance. For efficient air circulation, the oven should be installed according to the dimensions (Fig. 1).

There are 2 holes in the door frame to mount the oven to other surroundings (under the bench or above other machines) by screwing and inserting the plastic cover (Fig. 3).

The rear panel of the machine must be removed to allow free circulation of air. There should be at least 2.76" (70 mm) of clearance behind the panel where the oven is installed (Fig.4-5).



- ❖ For a built-in oven to work properly, the cabinets must be the correct type.
The panels of adjacent furniture should be heat resistant. Especially when they are wood veneers, the adhesive should withstand 250°F (120°C), or it will deform or fall off.
- ❖ For your safety, do not touch electrical components once the device is installed.
- ❖ All protective parts provided cannot be fixed in a non-removable way.
- ❖ Ensure that the appliance is switched off before replacing the lamp to avoid the possibility of electric shock.

Connection to the Mains Supply

Devices must be connected according to current rules. It is recommended to be wired by a professional electrician.



This equipment must be grounded.

Check that the rated power of power and outlet match the max wattage indicated on the nameplate.

The correct connection is to insert the plug into a socket with a third contact point to the ground.

If the device has a power cord installed but no plug, wire it as follows:

- ❖ The “yellow/green” grounded wire, which must be connected to the terminal should be 0.39" (10mm) longer than others.
- ❖ The “blue” neutral line has to be connected to the terminal marked with letter “N”.
- ❖ The “Black, Brown or Red” live wires have to be connected to terminal “L”.
- ❖ Mains connection can also be made by fitting a double pole switch with a min gap between the contacts of 0.12 inches (3mm), proportionate to the load.

The yellow/green earth wire should not be controlled by the switch.

- ❖ Once the appliance is in place, the plug or two-pole switch for the mains connection should be handy.

IMPORTANT

The power cord should be placed 120°F (50°C) below the ambient temperature.

Safety can only be ensured if it is properly connected to a valid grounded power source in accordance with electrical safety regulations.

The manufacturer is not responsible for any damage to persons or objects due to lack of a ground connection.

If a gas stove needs to be installed above the wall oven, the distance between them should be > 1.58”.

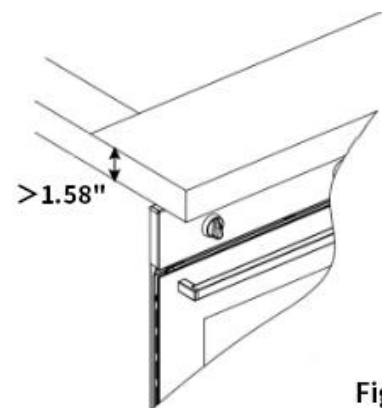


Fig.6

Removable Glass Door

The oven door is made of 3 layers of glass, the top and bottom of each layer are flow-through. When the oven is running, air circulates through the door to keep the outer pane cool. If condensation is working between the glass panes, the door can be removed to clean between them.

Follow the instructions above to remove the door and place it on a protective surface (such as a tablecloth) to prevent it from being scratched.

The door handle should line up with the edge of the table. Make sure the glass lies flat to avoid breakage of glass in cleaning.

1. Press the button on left and right side of door, then take out top rail. (Fig.7)
2. Take out inner glass slowly (Fig.8)
3. Loose clips. (Fig.9)
4. Take out middle glass. (Fig.10)

Clean glass and other parts with a damp microfiber cloth, a clean sponge, or a hot water solution containing a small amount of detergent, then dry with a soft cloth.

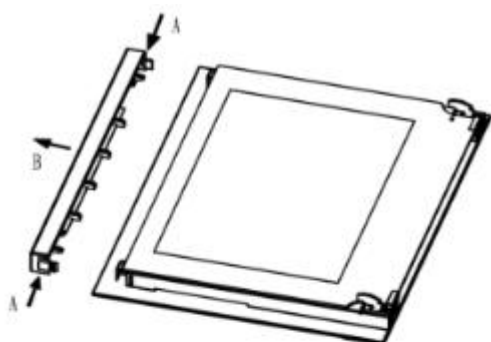


Fig.7

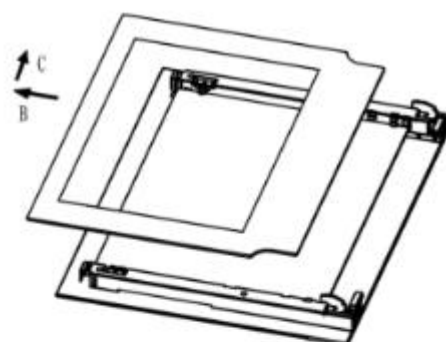


Fig.8

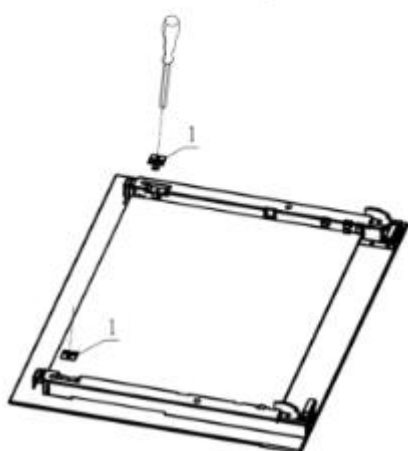


Fig.9

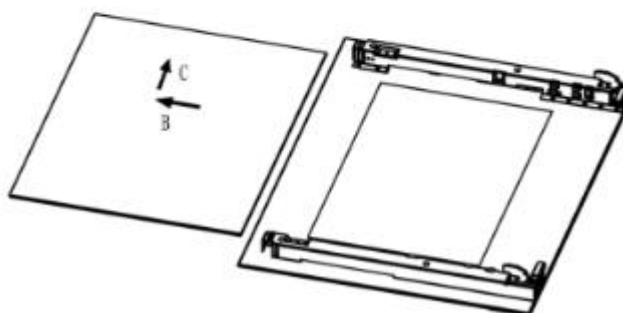


Fig.10

Disassemble/Assemble the Oven Door

To make it easier to clean the inside oven, the oven door can be removed by proceeding as follows:

- ❖ Open the door completely and lift the 2 levers “B” (Fig.11);
- ❖ Shut the door slightly, you can lift it out by pulling out the hooks “A” to reassemble the door. (Fig.12)
- ❖ Door in a vertical position, insert the two hooks “A” into the slots;
- ❖ Ensure that seat “D” is hooked perfectly onto the edge of the slot (Move the oven door backwards and forward slightly);
- ❖ Keep the oven door open fully, unhook the 2 levers “B” downwards and then shut the door again.

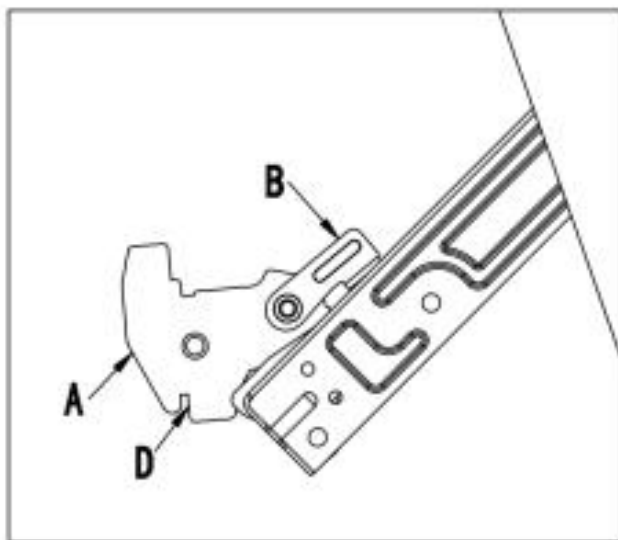


Fig.11

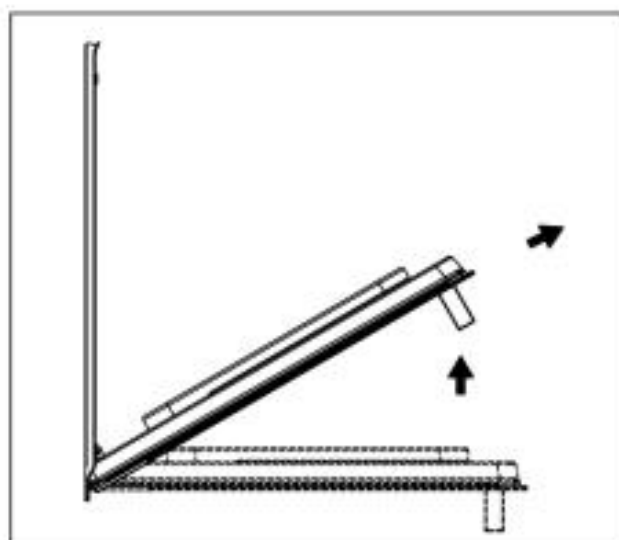




Fig.12

Use the Rotisserie

In the icon "  " of the function panel, the rotisserie can be used in combination with the rack. After fitting the food on to the spit "S", block it with the two forks "F". then proceed as follows:

The common oven installation method is as shown below, but this product is suitable for Fig.13; And Fig.14 is just for extra reference.

- ❖ Fit the end of the spit into the motor "M" at the back of the oven (Fig. 13).
- ❖ Fit the support into the circular groove in the spit.
- ❖ Unscrew and remove handle "A".
- ❖ Number "2" hooks the oven, "1" in the circle, as shown in the middle picture.
- ❖ Place the oven tray with a little water on the lowest shelf of the oven.
- ❖ Turn the knob to position to rotisserie icon .
- ❖ Partially close the oven door.

When the cooking time is up, screw the handle on the spit and remove everything from the oven. If necessary, use an oven glove to avoid any burn.

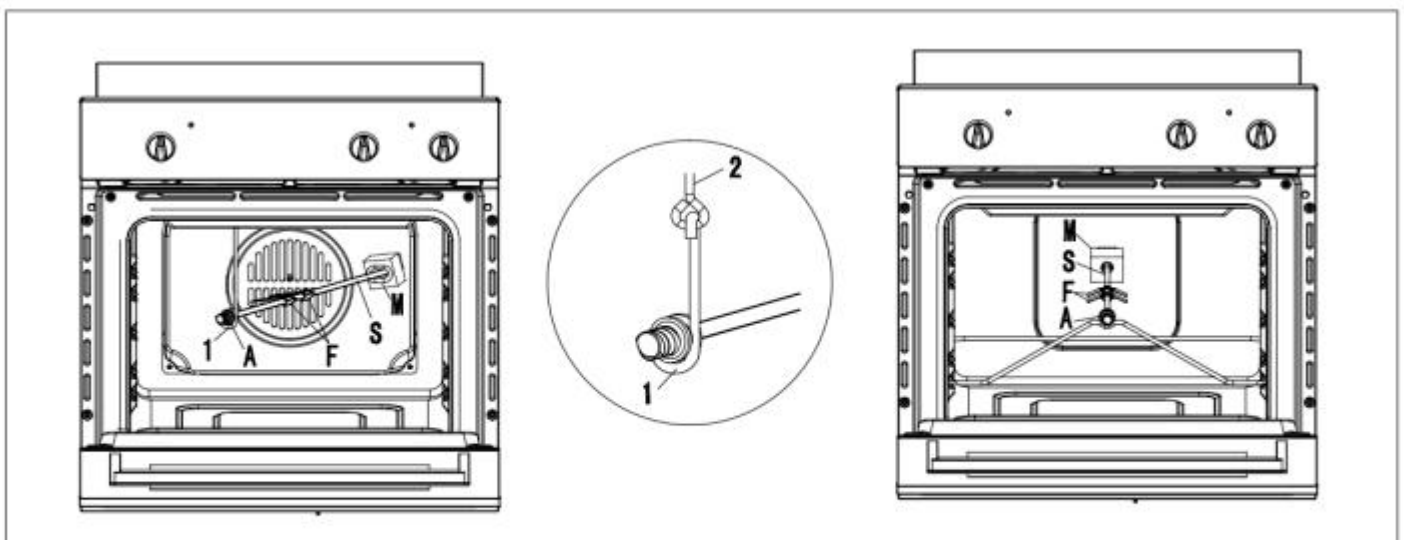


Fig.13

Fig.14